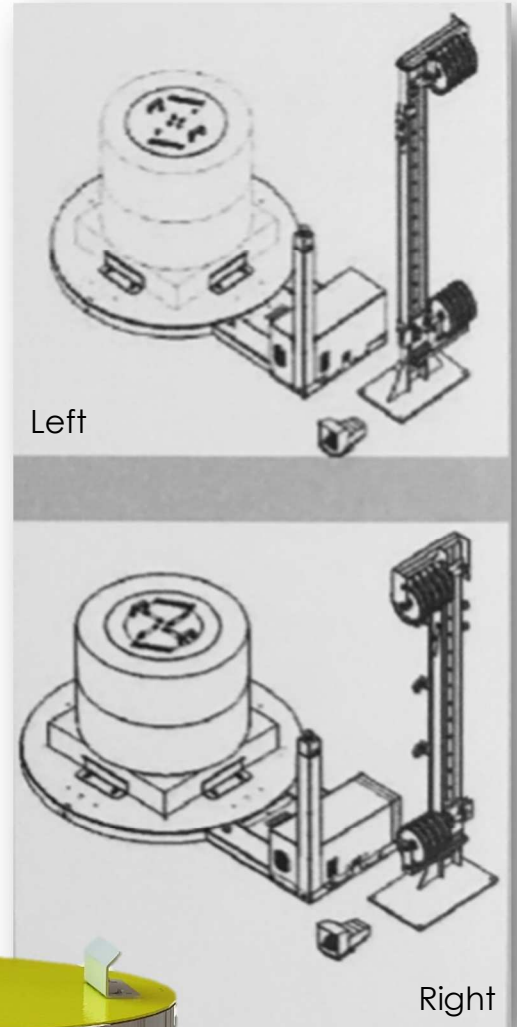
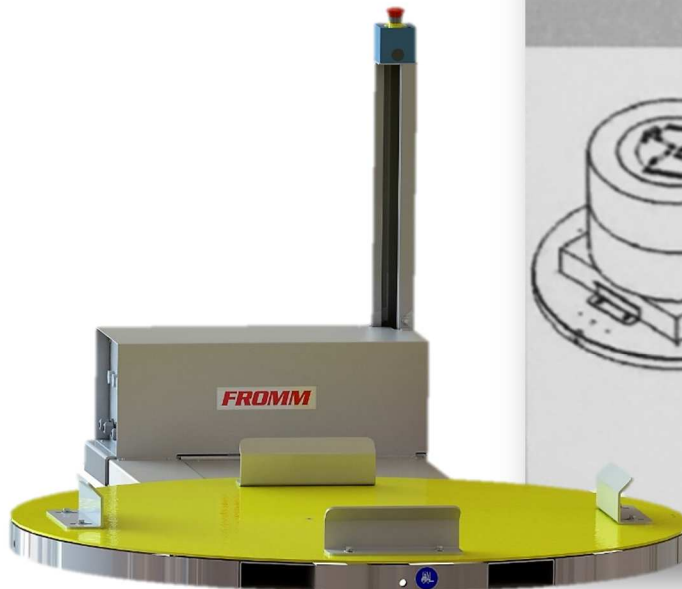


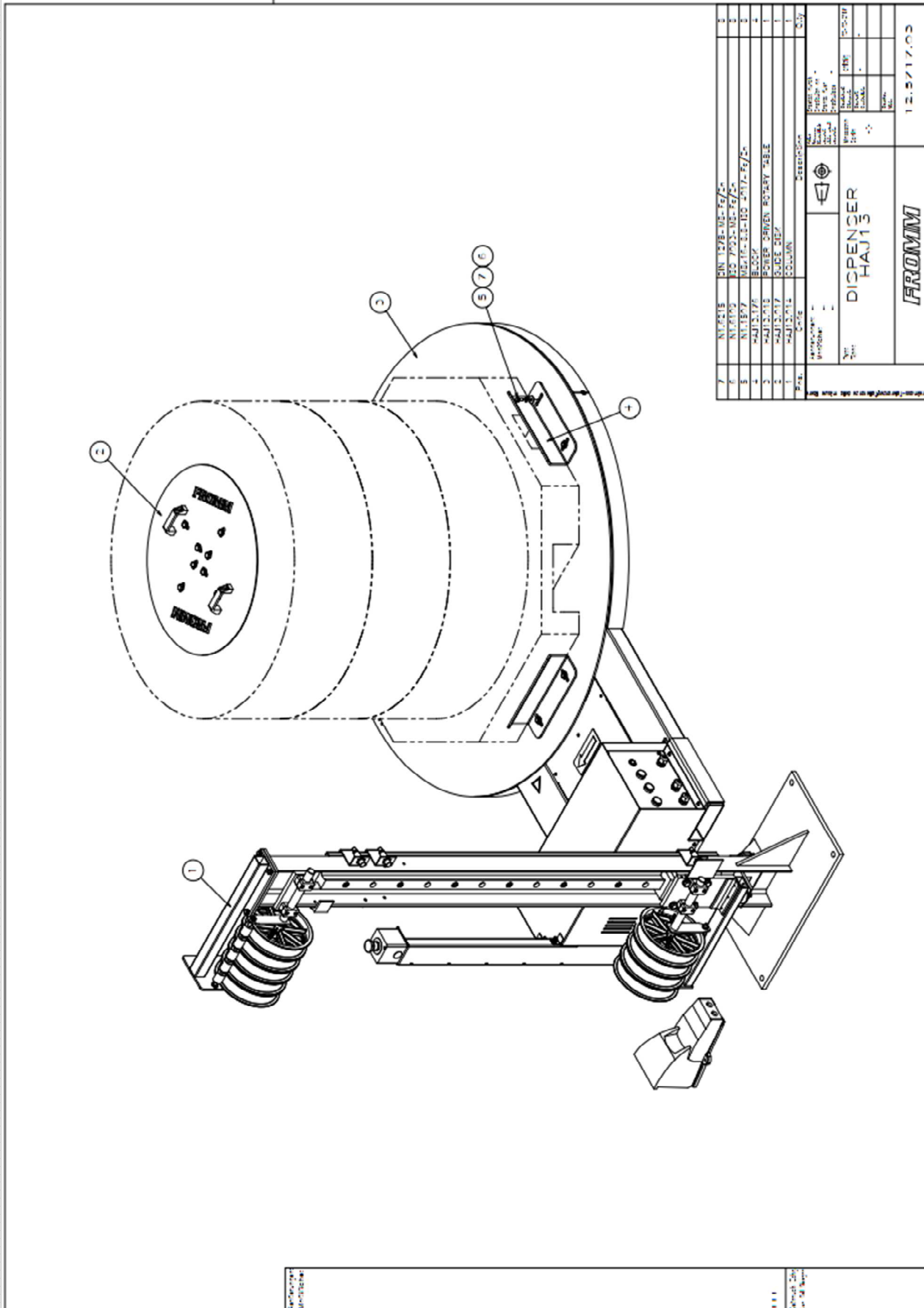
**Electrical Powered, Horizontal Dispenser for Jumbo Coils**  
*For use with Automatic Strapping Systems.*



**Characteristics**

Article number	12.5717.03 Left / Right
Type, identification	HAJ-13 < 1.000 Kg. (2,200 lbs)
Model	Floor mount / placement, Horizontal.
Strap dimensions	Steel- or Plastic strap: 9 – 32 mm (½" – 1 ¼"). Coil sizes: ID406 mm (16") OD813 - 1.200mm (32 – 47.2") Width 20 – 300mm ( 0.79" - 11.8") Max. Coil weight 1.000 Kg. (2,200 lbs)
Accumulator	Twin rolls, 2x4. Approx. 12 meters of strap
Dimensions	L400 mm x W610 mm x H2.100 mm (25.6" x 24" x 82.6")
Weight	250 kg (550 lbs)
Dimensions dispenser	L2.230 mm (flange dia.) x W1.500 mm x H1.100 mm (87.8" x 59" x 43.3")
Finish	Coated
Power	230V 400Vac/1,5Kw/5,9A
Brake type	Electrical, Motor drive and brake

**Motorized Universal Jumbo Coil Dispenser,  
HAJ-13 Series  
9 - 32 mm Steel- & Plastic Strap applications**



7	NI 1578	NI 1578-10-FZ-FZ	1
6	NI 1579	NI 1579-10-FZ-FZ	1
5	NI 1577	NI 1577-10-FZ-FZ	1
4	HAJ1317	ELCOP	1
3	HAJ1315	POWER DRIVEN ROTARY TABLE	1
2	HAJ1317	SLIDE DIEZ	1
1	HAJ1314	COIL DISPENSER	1

Part No.	HAJ1314
Rev.	001
Drawn by	
Checked by	
Approved by	
Scale	1:1
Material	
Weight	
Volume	
Surface	
Color	
Notes	
1	DISPENSER HAJ13
2	
3	
4	
5	
6	
7	
8	
9	
10	
11	
12	
13	
14	
15	
16	
17	
18	
19	
20	
21	
22	
23	
24	
25	
26	
27	
28	
29	
30	
31	
32	
33	
34	
35	
36	
37	
38	
39	
40	
41	
42	
43	
44	
45	
46	
47	
48	
49	
50	
51	
52	
53	
54	
55	
56	
57	
58	
59	
60	
61	
62	
63	
64	
65	
66	
67	
68	
69	
70	
71	
72	
73	
74	
75	
76	
77	
78	
79	
80	
81	
82	
83	
84	
85	
86	
87	
88	
89	
90	
91	
92	
93	
94	
95	
96	
97	
98	
99	
100	