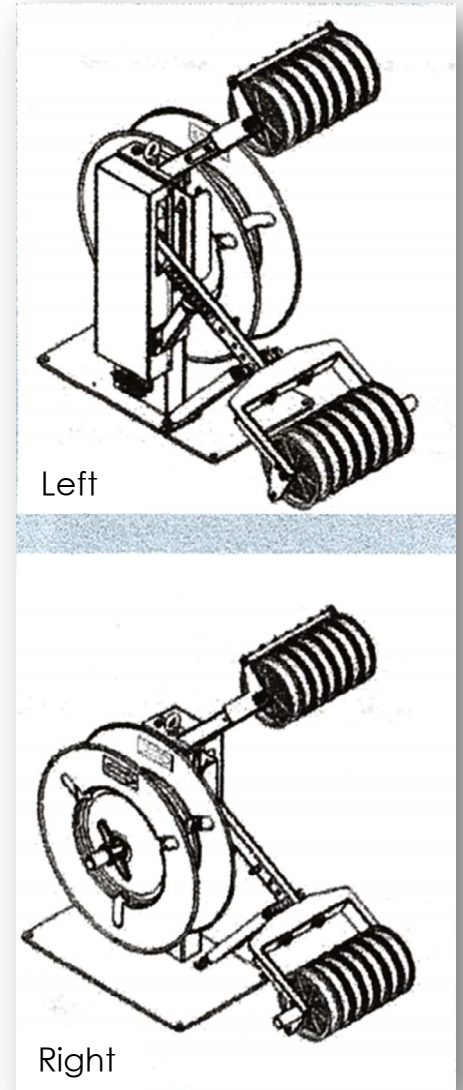
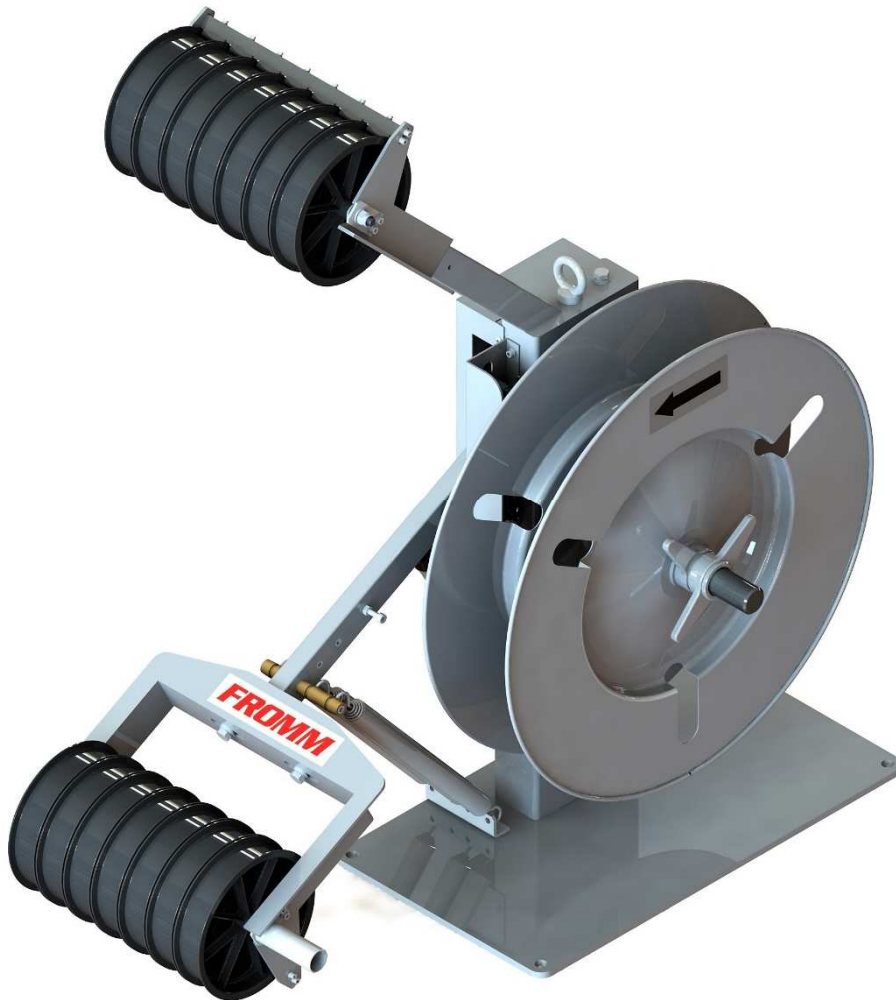


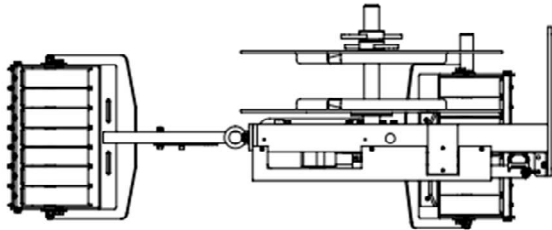
Vertical, Standard Coil Dispenser for Plastic Strap (9 – 32 mm).
Electrical Powered, for use with Automatic Strapping Systems.

**Characteristics**

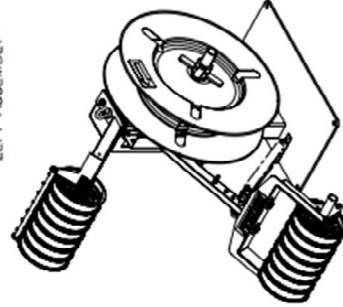
Article number(s)	42.2060 Left / Right
Type, identification	KB4 Left or Right
Model	Floor mount, Vertical.
Strap dimensions	Plastic: 9 – 32 mm (23/64" – 1 ¼") Standard Coils. ID406 x OD600 x W152mm (16"x23.6"x6") Max. 50 Kg. (110 lbs)
Accumulator	Twin rolls, std. 2x7 – holds about 12 meters of strap.
Own weight	90 kg (198 lbs)
Dimensions	L1.215 x W594 x H1.448 mm (47.8"x 23.4" x 57")
Finish	Coated grey
Power	24V/24W/1,0A - Connection to control cabinet by cable with connector.
Brake type	Electrical, Motor brake

STRAP COIL DIMENSIONS:

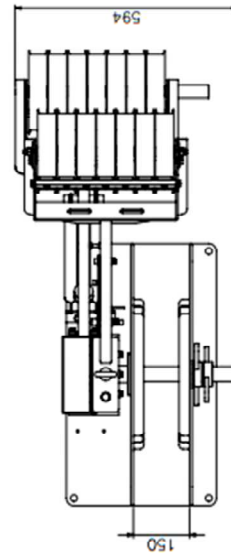
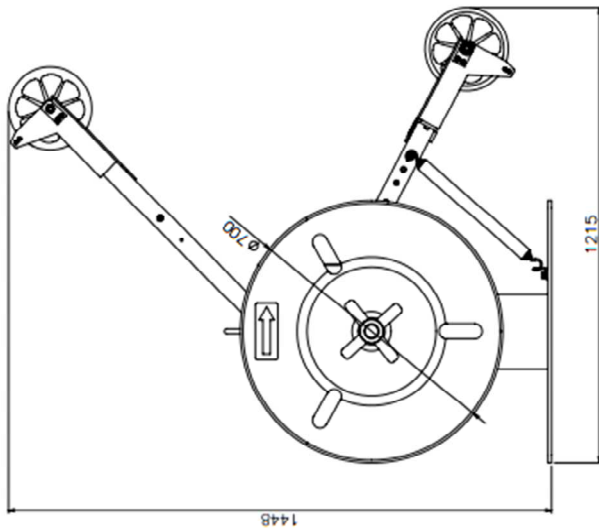
ID: 406
OD: Max.600
W: 150
WEIGHT Max. 90 Kg



RIGHT ASSEMBLY



LEFT ASSEMBLY



Modificato: - Modificato: - Modificato: -		Gruppo CAD - Gruppo CAD - Gruppo CAD - Gruppo CAD - Gruppo CAD -	
Tipo DISPENSER KB4		42.2020.11	
FROMM		FROMM	